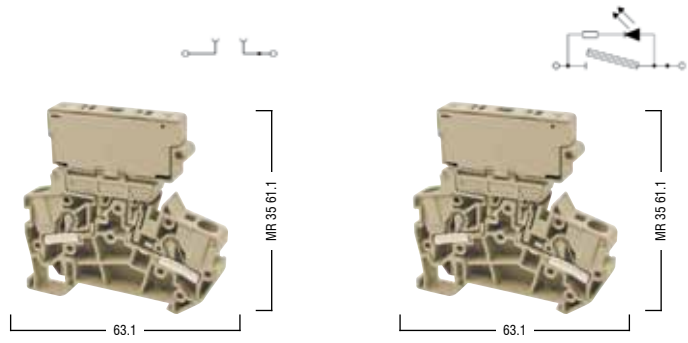


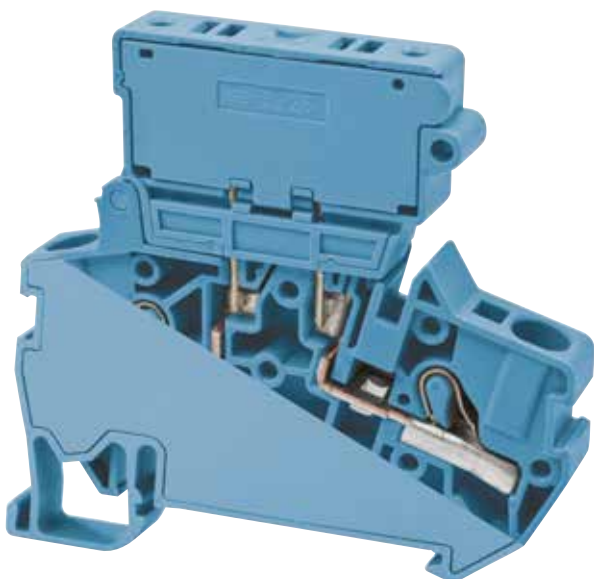


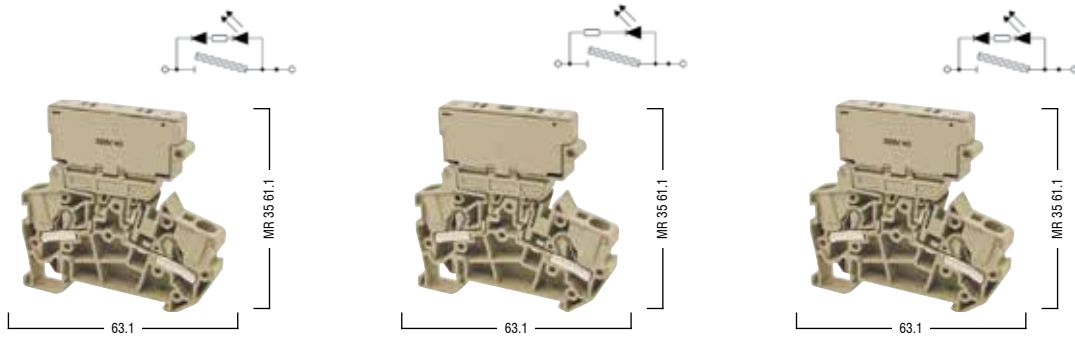
PFF Series

Fuse Push-Fit Terminals



	PFF4	PFF4LD520-24VDC
	Width 8mm	Width 8mm
Electrical Ratings		
Voltage / Current / Cross Section	500V~ / 10A / 4mm ²	24VDC / 10A / 4mm ²
UL		
Connection Data		
Insulation Stripping Length	10mm	10mm
Solid Strand	0.5 - 6mm ²	0.5 - 6mm ²
Fine Strand with Ferrule	0.5 - 4mm ²	0.5 - 4mm ²
AWG Conductor	22.....10	22.....10
End Bracket		
	ES1	ES1
	ES4 (screwless)	ES4 (screwless)
End Plate		
Polyamide 66 - Thickness 1.0mm	EPPFF4	EPPFF4
Cross-Connection		
	CCS6/2	CCS6/2
	CCS6/3	CCS6/3
	CCS6/4	CCS6/4
	CCS6/10	CCS6/10
Technical Data		
Max. Clamping Range / Fuse / Voltage	6mm ² / 5x20 / -	6mm ² / 5x20 / 24V DC
Rated Impulse Voltage / Pollution Severity	6kV / 3	6kV / 3
Insulation Material Group / Gauge Pin Code (acc. IEC 60947-1)	1 / A4	1 / A4
Protection Class / Protection Conductor Type	IP20 / -	IP20 / -





PFF4LD520-220VAC Width 8mm	PFF4LD525-24VDC Width 8mm	PFF4LD525-220VAC Width 8mm
220V~ / 10A / 4mm ²	24VDC / 10A / 4mm ²	220V~ / 10A / 4mm ²
10mm	10mm	10mm
0.5 - 4mm ²	0.5 - 6mm ²	0.5 - 6mm ²
0.5 - 2.5mm ²	0.5 - 4mm ²	0.5 - 4mm ²
22.....10	22.....10	22.....10
ES1	ES1	ES1
ES4 (screwless)	ES4 (screwless)	ES4 (screwless)
EPPFF4	EPPFF4	EPPFF4
CCS6/2	CCS6/2	CCS6/2
CCS6/3	CCS6/3	CCS6/3
CCS6/4	CCS6/4	CCS6/4
CCS6/10	CCS6/10	CCS6/10
6mm ² / 5x20 / 220V AC	6mm ² / 5x25 / 24V DC	6mm ² / 5x25 / 220V AC
6kV / 3	6kV / 3	6kV / 3
1 / A4	1 / A4	1 / A4
IP20 / -	IP20 / -	IP20 / -

