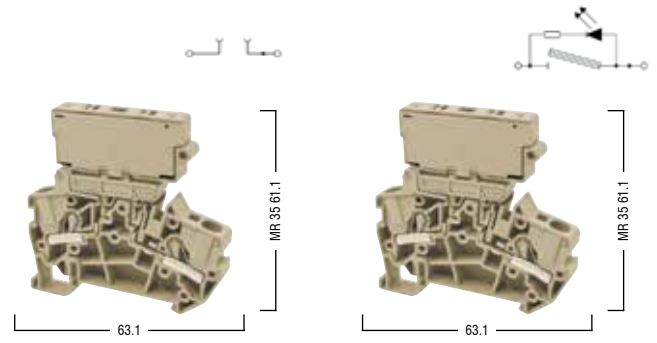

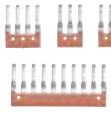



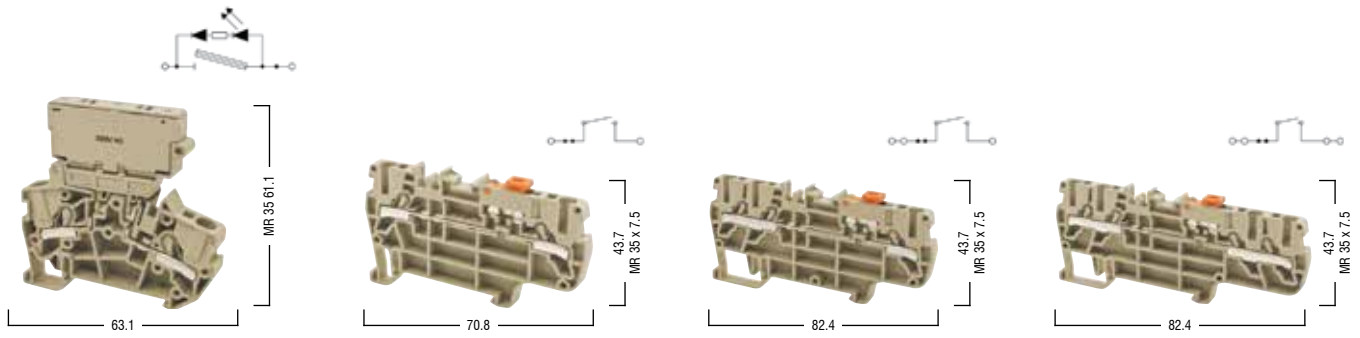
PFF & PFTD Series

Fuse & Disconnect Push-Fit Terminals



	PFF3	PFF3LD-24VDC
	Width 8mm	Width 8mm
Electrical Ratings		
Voltage / Current / Cross Section	500V~ / 10A / 4mm ²	24VDC / 10A / 4mm ²
UL		
Connection Data		
Insulation Stripping Length	10mm	10mm
Solid Strand	0.5 - 6mm ²	0.5 - 6mm ²
Fine Strand with Ferrule	0.5 - 4mm ²	0.5 - 4mm ²
AWG Conductor	22.....10	22.....10
End Bracket		
	ES1	ES1
	ES4 (screwless)	ES4 (screwless)
End Plate		
Polyamide 66 - Thickness 1.0mm	EPPFF4	EPPFF4
Cross-Connection		
	CCS6/2	CCS6/2
	CCS6/3	CCS6/3
	CCS6/4	CCS6/4
	CCS6/10	CCS6/10
Test Plug		
	PFT	PFT
Technical Data		
Max. Clamping Range / Fuse / Voltage	6mm ² / 6.35x32 / -	6mm ² / 6.35x32 / 24V DC
Rated Impulse Voltage / Pollution Severity	6kV / 3	6kV / 3
Insulation Material Group / Gauge Pin Code (acc. IEC 60947-1)	1 / A4	1 / A4
Protection Class / Protection Conductor Type	IP20 / -	IP20 / -





PFF3LD-220VAC	Width 8mm	PFTD2.5	Width 5mm	PFTD2.52	Width 5mm	PFTD2.54	Width 5mm
220V~ / 10A / 4mm ²		400V~ / 20A / 2.5mm ²		400V~ / 16A / 2.5mm ²		400V~ / 16A / 2.5mm ²	
		300V~ / 16A / AWG 22-12				300V~ / 10A / AWG 22-12	
10mm		10mm		10mm		10mm	
0.5 - 6mm ²		0.5 - 4mm ²		0.5 - 4mm ²		0.5 - 4mm ²	
0.5 - 4mm ²		0.5 - 2.5mm ²		0.5 - 2.5mm ²		0.5 - 2.5mm ²	
22.....10		22.....12		22.....12		22.....12	
ES1		ES1		ES1		ES1	
ES4 (screwless)		ES4 (screwless)		ES4 (screwless)		ES4 (screwless)	
EPPFF4		EPPFTD		EPPFTD		EPPFTD	
CCS6/2		CCS2.5/2		CCS2.5/2		CCS2.5/2	
CCS6/3		CCS2.5/3		CCS2.5/3		CCS2.5/3	
CCS6/4		CCS2.5/4		CCS2.5/4		CCS2.5/4	
CCS6/10		CCS2.5/10		CCS2.5/10		CCS2.5/10	
PFT		PFT		PFT		PFT	
6mm ² / 6.35x32 / 220V AC		4mm ² / - / -		4mm ² / - / -		4mm ² / - / -	
6kV / 3		4kV / 3		4kV / 3		4kV / 3	
1 / A4		1 / A3		1 / A3		1 / A3	
IP20 / -		IP20 / -		IP20 / -		IP20 / -	

